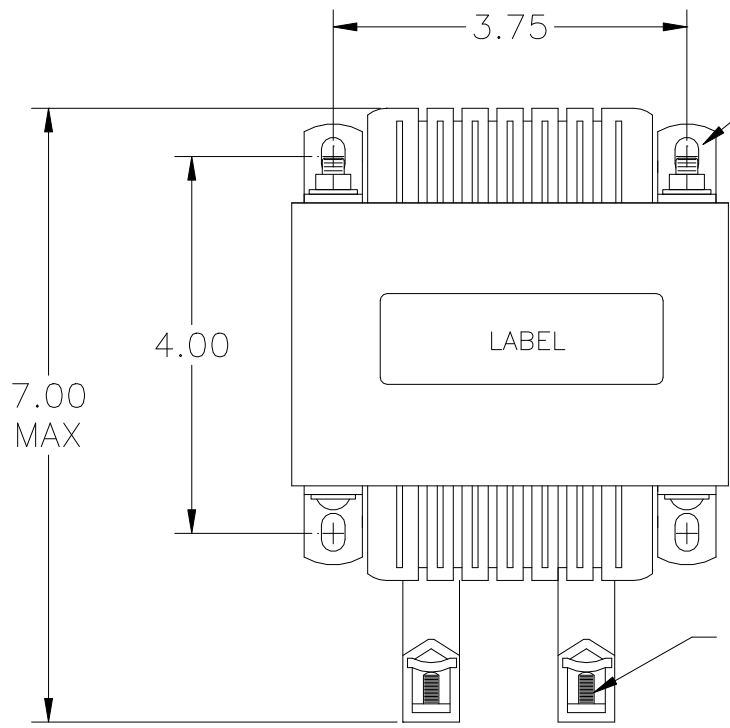


INDUCTANCE	LOSSES	WEIGHT
0.25 mH	35 Watts	13 Lbs

NO.	CHANGE DESCRIPTION	BY	DATE	C'K'D
04	REVISED PER ECR 7175, ADDED CD	RS	8/23/10	

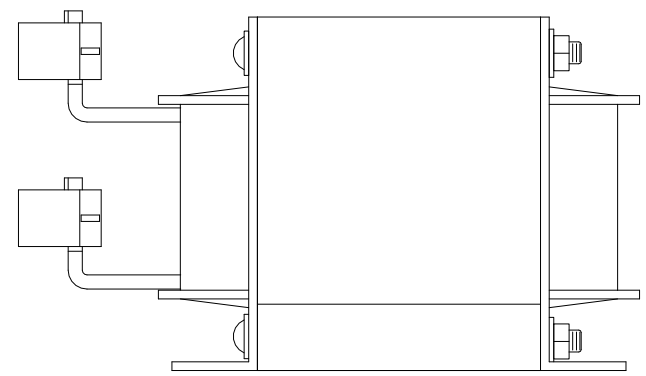
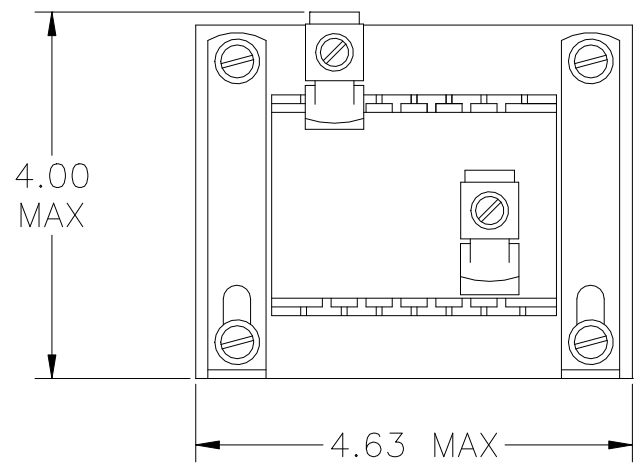
FILE:



0.203 x 0.328
(4 SLOTS)

WIRE RANGE: 6-0 AWG

CAUTION-TERMINAL SCREW TIGHTENING
TORQUE: 6-4 (45) in-lb MAX.
2-0 (50) in-lb MAX.



UNLESS OTHERWISE SPECIFIED, DIMENSIONS ARE IN INCHES [mm] AND TOLERANCES ARE:

DECI. FRAC.

ANGLES DRILLED HOLES

PART NAME:	DC LINK CHOKE
DESCRIPTION:	OUTLINE DIMENSION
FINISH:	

MTE CORPORATION MENOMONEE FALLS, WISCONSIN			
CD 110RB001			REV. 04
SCALE	NTS	DATE 06/29/98	C'K'D
REF.	DR. BY	AJU	APP'D